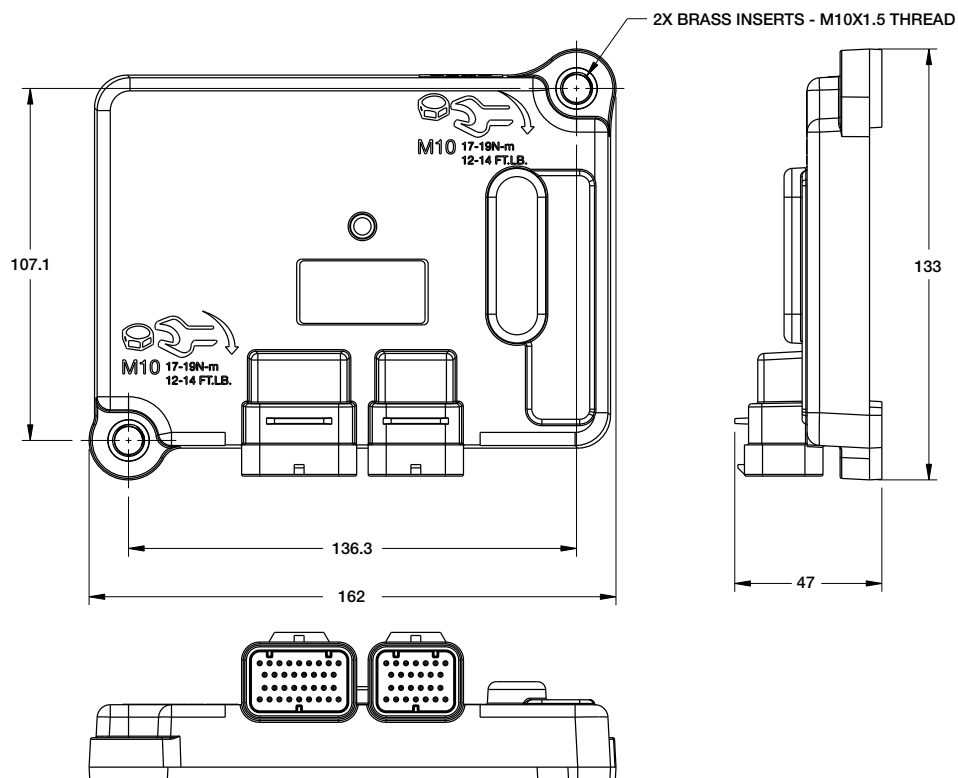


Software	
Software Environment Platform Framework	Provides the application developer with the drivers required to access the hardware
Software Development Kit (SDK)	Provides the interface between the platform framework and the application software
Application software	Matlab Simulink (can be developed by the OEM or Parker)
Environment	
Humidity (soak)	ANSI/ASAE EP455 DEC 1990 (R2008) section 5.13.2
Humidity (cyclic)	ANSI/ASAE EP455 DEC 1990 (R2008) section 5.13.1
Dust/Water Ingress Protection	IP67 and IP69K
Salt Spray	MIL-STD-202G Method 101E condition A
Shock	ANSI/ASAE EP455 Dec 1990 (R2008) section 5.14.1
Random Vibration	BS EN7691:1994 section 6.6.1 severity level 3
ESD	ISO 10605:2008(E) section 8.3 and 9.3
EMC	
Susceptibility	ISO 13766:2006 section 5.8.2
Emissions	ISO 14982:2009 section 6.4 & 6.5
Ordering	
Ordering Part Number	1093001ECD *

* - depending on PCB stuffing options, all features may not be available.

Dimensions



units=mm

Parker Hannifin Canada
 Electronic Motion & Controls Division
 1305 Clarence Avenue
 Winnipeg, MB, R3T 1T4 Canada
 phone 204 452 6776
www.parker.com/emc

